



LARGE MOUTH POLYETHYLENE DISPENSER SUMPS

APT™ brand large mouth polyethylene dispenser sumps feature a two-piece modular design and large sump opening to provide easy installation and ample space for under dispenser containment. With a variety of sump lengths, two depth options, an assortment of top frame options, and field height adjustability, there is a solution to match virtually any application and provide complete compatibility with the industry's most popular dispenser models.

HIGHLIGHTS

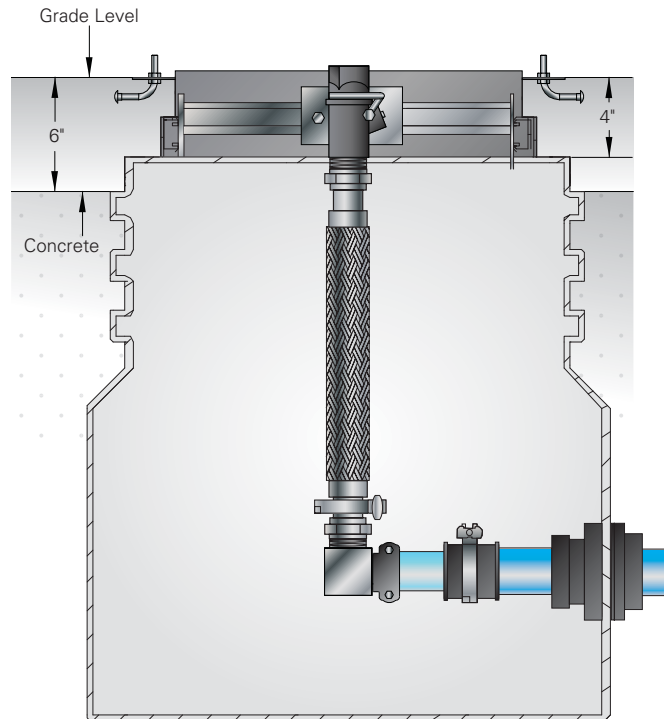
- The ribbed riser can be cut down in 3" increments in the field to adjust sump height and achieve proper pipe slopes with respect to grade.
- Available in medium (28") and deep(43") burial depths to properly maintain slope.
- 22" wide by 24", 36", or 48" long opening on base gives plenty of room for boot, fitting, and monitor installation.
- The sump base widens to a spacious 26" where entry boots and pipe connections are made.
- Corrosion-resistant powder coated steel top frames provide durability and extended service life.
- Stabilizer bar kits (SBKs) mount into welded strut channels for shear valve mounting (one SBK is required for each shear valve and must be purchased separately).

SPECIFICATIONS

Approvals/Certifications

- ULc listed.
- Florida EQ-423 approved.

Installation



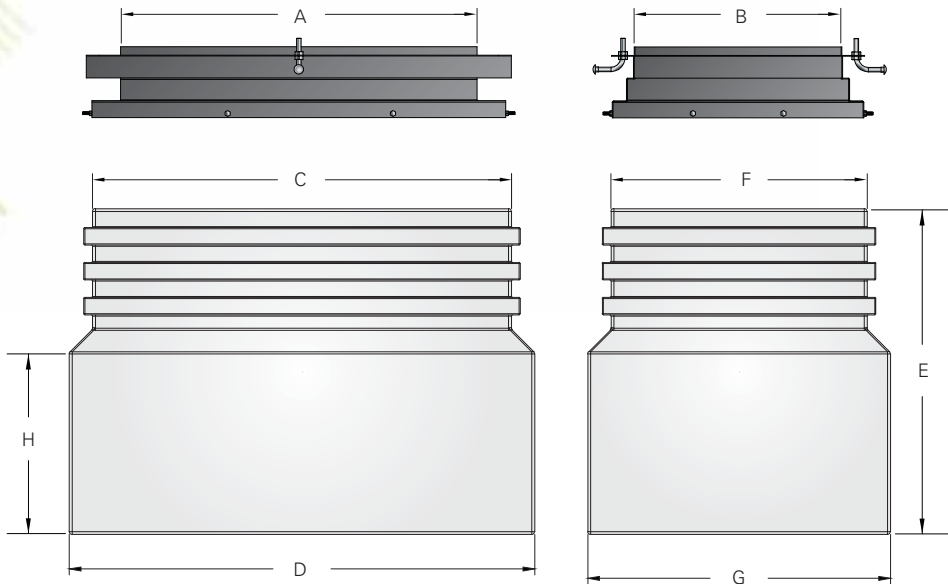
ORDERING INFORMATION

Large Mouth Polyethylene Dispenser Sumps

Use the drawing diagram and the dimensions below to identify the appropriate dispenser sump for your application or use the Large Mouth Dispenser Sump Directory found on the following pages.

Model	Top Frame Mouth Length (A)	Top Frame Mouth Depth (B)	Sump Base Mouth Length (C)	Sump Base Bottom Length (D)	Sump Base Height (E)		Sump Base Mouth Depth (F)	Sump Base Bottom Depth (G)	Sump Base Bottom Height (H)
					Medium (M)	Deep (D)			
LM(M/D)-1410	13.50"	9.75"	24.00"	28.00"	28.00"	43.00"	22.00"	26.00"	15.50"
LM(M/D)-1913-T	19.00"	12.00"	24.00"	28.00"	28.00"	43.00"	22.00"	26.00"	15.50"
LM(M/D)-1916-HLX	19.75"	16.00"	36.00"	40.00"	32.00"	47.00"	22.00"	26.00"	15.50"
LM(M/D)-2010	20.50"	10.00"	24.00"	28.00"	28.00"	43.00"	22.00"	26.00"	15.50"
LM(M/D)-2018	20.81"	18.31"	24.00"	28.00"	28.00"	43.00"	22.00"	26.00"	15.50"
LM(M/D)-2313-T	23.00"	12.00"	36.00"	40.00"	28.00"	43.00"	22.00"	26.00"	15.50"
LM(M/D)-2407	23.75"	7.50"	36.00"	40.00"	28.00"	43.00"	22.00"	26.00"	15.50"
LM(M/D)-2715	27.00"	15.00"	36.00"	40.00"	28.00"	43.00"	22.00"	26.00"	15.50"
LM(M/D)-2811	28.50"	11.00"	36.00"	40.00"	28.00"	43.00"	22.00"	26.00"	15.50"
LM(M/D)-2915	29.75"	15.75"	36.00"	40.00"	28.00"	43.00"	22.00"	26.00"	15.50"
LMM-2915-HLX	29.75"	15.25"	36.00"	40.00"	28.00"	NA	22.00"	26.00"	15.50"
LMM-2916-DEF-O2-SAT	24.22"	15.94"	24.00"	28.00"	32.00"	NA	22.00"	26.00"	15.50"
LM(M/D)-3610	36.00"	10.25"	48.00"	52.00"	28.00"	43.00"	22.00"	26.00"	15.50"
LM(M/D)-3617*	36.00"	17.25"	36.00"	40.00"	28.00"	43.00"	22.00"	26.00"	15.50"
LM(M/D)-3914-36-W*	38.75"	14.00"	36.00"	40.00"	28.00"	43.00"	22.00"	26.00"	15.50"
LM(M/D)-3914	38.75"	14.00"	48.00"	52.00"	28.00"	43.00"	22.00"	26.00"	15.50"
LMM-3915-HLX	39.75"	15.25"	48.00"	52.00"	28.00"	NA	22.00"	26.00"	15.50"
LM(M/D)-4018	39.75"	17.75"	48.00"	52.00"	28.00"	43.00"	22.00"	26.00"	15.50"
LM(M/D)-4111	41.50"	11.00"	48.00"	52.00"	28.00"	43.00"	22.00"	26.00"	15.50"
LM(M/D)-4115	41.50"	15.75"	48.00"	52.00"	28.00"	43.00"	22.00"	26.00"	15.50"

Note: For "M/D" in part number use "M" for medium or "D" for deep when ordering.
*Conduit-less top frame.



Stabilizer Bar Kits

One SBK is required for each shear valve and must be purchased separately. Select the appropriate SBK with the compatibility chart below.

Model	Stabilizer Bar Kit Model
LM(M/D)-1410	SBK-2
LM(M/D)-1913-T	SBK-25
LM(M/D)-1916-HLX	SBK-3
LM(M/D)-2010	SBK-2
LM(M/D)-2018	SBK-3
LM(M/D)-2313-T	SBK-25
LM(M/D)-2407	SBK-1
LM(M/D)-2715	SBK-3
LM(M/D)-2811	SBK-25
LM(M/D)-2915	SBK-3
LMM-2915-HLX	SBK-3
LMM-2916-DEF-O2-SAT	SBK-3
LM(M/D)-3610	SBK-2
LM(M/D)-3617	SBK-3
LM(M/D)-3914-36-W	SBK-25
LM(M/D)-3914	SBK-3
LMM-3915-HLX	SBK-3
LM(M/D)-4018	SBK-3
LM(M/D)-4111	SBK-25
LM(M/D)-4115	SBK-3

Grommets for Conduit-less Sumps

Model	Description
43605002	½" grommets for conduit-less sump
43607502	¾" grommets for conduit-less sump
43610002	1" grommets for conduit-less sump